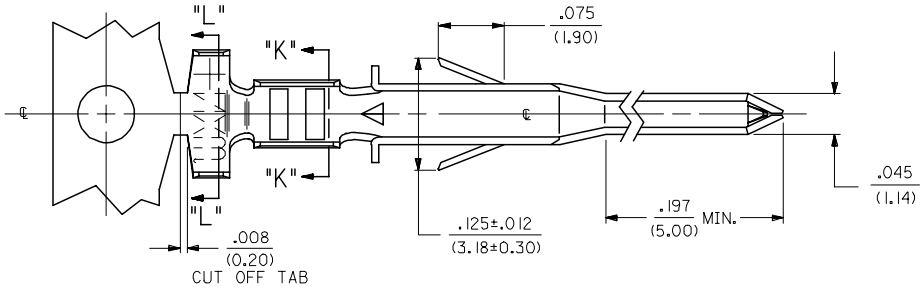
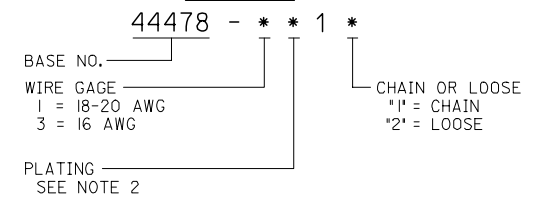


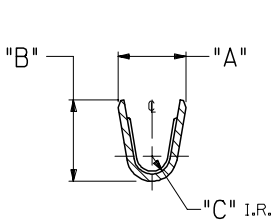
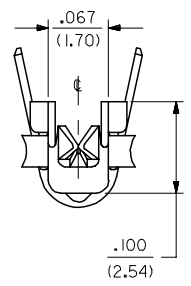
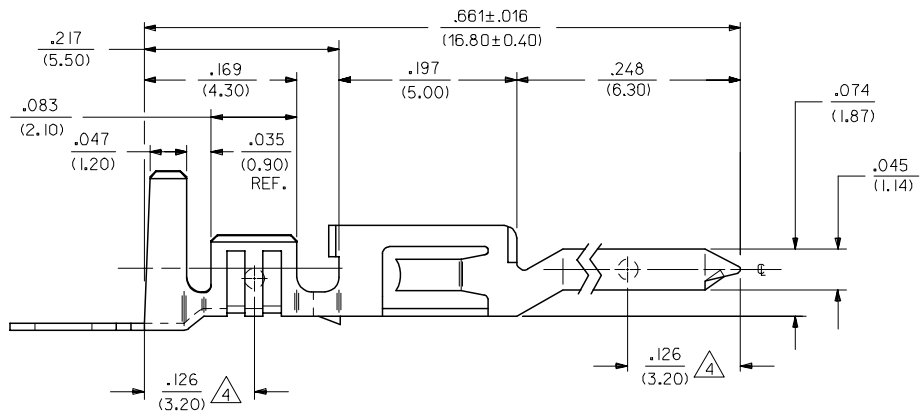
ITEM NO.	FORM	WIRE GAGE	RANGE OF INSULATION DIA.	QUANTITY PER REEL (FORMED)	DIM. "A"	DIM. "B"	DIM. "C"	DIM. "D"	DIM. "E"	DIM. "F"
44478-1111	CHAIN	18-20 GA.	.051-.122 (1.30-3.10)	4,000	.075±.012 (1.90±.30)	.091±.016 (2.30±.40)	.020 (.50)	.142±.012 (3.60±.30)	.177±.016 (4.50±.40)	.035 (.90)
44478-1112	LOOSE									
44478-3111	CHAIN	16 GA.	.122 MAX. (3.10)	4,000	.091±.012 (2.30±.30)	.106±.016 (2.70±.40)	.024 (.60)	.142±.012 (3.60±.30)	.177±.016 (4.50±.40)	.035 (.90)
44478-3112	LOOSE									
44478-1211	CHAIN	18-20 GA.	.051-.122 (1.30-3.10)	4,000	.075±.012 (1.90±.30)	.091±.016 (2.30±.40)	.020 (.50)	.142±.012 (3.60±.30)	.177±.016 (4.50±.40)	.035 (.90)
44478-1212	LOOSE									
44478-3211	CHAIN	16 GA.	.122 MAX. (3.10)	4,000	.091±.012 (2.30±.30)	.106±.016 (2.70±.40)	.024 (.60)	.142±.012 (3.60±.30)	.177±.016 (4.50±.40)	.035 (.90)
44478-3212	LOOSE									

LEGEND:

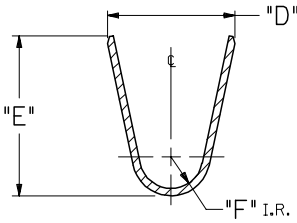


NOTES:

- MATERIAL: COPPER ALLOY, .008/(0.20) THICK.
- *1= PLATING: POSTPLATE .000100/(.00254) MIN. BRIGHT TIN OVER .000030/(.00076) MIN. NICKEL OVERALL.
*2=PLATING: POSTPLATE .000030/(.000076) MIN. SELECT GOLD AND .000100/(0.00254) MIN. MATTE TIN OVER .000050/(.00127) MIN. NICKEL OVERALL.
*THE PRIMARY SHIPPING CARTON WILL BE LABELED "COMPLIANT TO RoHS DIRECTIVE 2002/95/EC AND ELV ANNEX II OF DIRECTIVE 2000/53/EC." CARTONS WITHOUT THIS LABEL MAY CONTAIN PRODUCT WITH TIN-LEAD PLATING.
- PART DESIGNED IN METRIC.
- MEASURING POINT FOR PLATING THICKNESS.
- TERMINAL IS FOR USE WITH MOLEX PLUG HOUSINGS 5559, 30068 AND 42475.
- ITEM NUMBERS PRECEDED BY AN "X" IN THE CHART ARE NOT AVAILABLE.
- PRODUCT SPECIFICATION AND PROCESSING PARAMETERS: SEE PS-44476-001.



SECT. "K-K"
(VIEW ROTATED 90° CW)



SECT. "L-L"
(VIEW ROTATED 90° CW)

REMOVED 44478-***2* FC NO: UCP2006-0883 DRAWN:ADRAINOL 2005/10/25 CHKD:BPOLGAR 2005/10/25 APPR:ICOMERCJ 2005/10/26	QUALITY SYMBOLS ▽=0 ▽=0	GENERAL TOLERANCES (UNLESS SPECIFIED)		DIMENSION STYLE		SCALE	DESIGN UNITS	THIRD ANGLE PROJECTION	
		mm	INCH	IN/MM		10:1	METRIC		
		4 PLACES ± ---	± ---	DRAWN BY	DATE	TERMINAL, MALE, CRIMP MINI-FIT JR HCS SERIES			
		3 PLACES ± ---	± .010	GEP	1994/07/25				
		2 PLACES ± 0.25	± .015	CHECKED BY	DATE	MATERIAL NO. _____ DOCUMENT NO. SD-44478-**** SHEET NO. 1 OF 1			
		1 PLACE ± 0.38	± ---	RJF	1994/07/25				
		ANGULAR ±1/2°		APPROVED BY	DATE	THIS DRAWING CONTAINS INFORMATION THAT IS PROPRIETARY TO MOLEX INCORPORATED AND SHOULD NOT BE USED WITHOUT WRITTEN PERMISSION			
				RJF	1994/07/25				
		DRAFT WHERE APPLICABLE MUST REMAIN WITHIN DIMENSIONS		SEE CHART					